

·GH·
MOTION

INDUSTRIAL SOLUTIONS



·GH·
CRANES & COMPONENTS

· GH · MOTION

Industrial Solutions

MOBILITY AND LIFTING SOLUTIONS WITH MAXIMUM RELIABILITY

At GH, we look to help our clients stay as profitable as possible, by providing the best possible service and product for your operation. We provide machines designed with flexible, individualized solutions and designs, resulting in robust structures to increase productivity and maximize operational safety. We also offer maintenance plans according to the client's need, which helps to minimize production downtime – thanks to an international, yet local, customer service network, an extensive stock of replacement parts, and available client and remote monitoring.



PROXIMITY

To offer the best possible service, we think it's important to be close to our customers, so that we may understand the realities and needs of their business.



QUALITY

We are committed to providing high-quality, innovative technological solutions.



PERSONAL APPROACH

We are a team of individuals committed to offering our clients the very best quality and service.





Rubber tire gantries



Industrial jib cranes



Industrial Solutions

AN ESSENTIAL ALLY FOR YOUR BUSINESS

Our goal is to provide, efficient load handling to a wide range of sectors and open-air applications, with personalized solutions of the highest quality and level of reliability, while protecting the crane's value throughout the entire service life of the equipment.

Our mobility and lifting solutions are designed and manufactured to increase operational productivity, safety, and extend the service life of your machines.



RUBBER TIRE GANTRIES



Designed and manufactured to guarantee increased production in a wide range of sectors.

HEAVY-DUTY, ROBUST, AND RELIABLE

Adapted to production demand, as well as load lifting and handling process changes so that tasks are safe, easy, and profitable.

GUARANTEED SAFETY AND ERGONOMICS

with remote control including weight indicator, solid blow out and puncture resistant tires, emergency stop button, and remote control reset button.

ENERGY EFFICIENT with diesel engines using LED lights and cutting-edge acceleration according to standards.



LIGHTWEIGHT MODELS				INTERMEDIATE MODELS			HEAVYWEIGHT MODELS				
GH-10i	GH-25i	GH-30i / 35i	GH-55i	GH-70i	GH-82i	GH-88i	GH-110i	GH-140i	GH-165i	GH-220i	GH-260i
10 t	22 t	25 t / 32 t	50 t	64 t	75 t	80 t	100 t	125 t	150 t	200 t	235 t

TYPES OF ROTATION

The following are the four types of rotation offered by our industrial solutions.



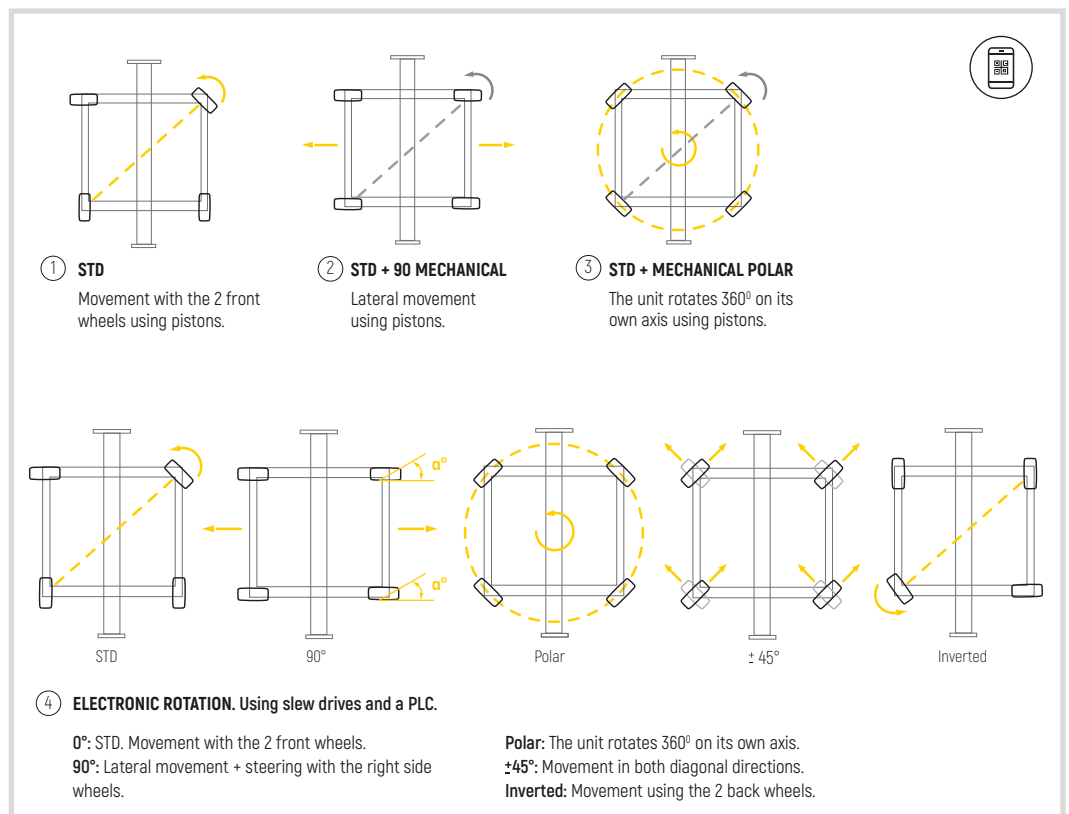
Download the app to get the full Augmented Reality experience. To activate it, please make sure your phone's camera points at the area within the grey rectangle.



Android



iOS



SINGLE GIRDER

AVAILABLE SPREADERS:

- LONGITUDINAL SPREADER
- TRANSVERSAL SPREADER
- CLAMP



DOUBLE GIRDER

AVAILABLE SPREADERS:

- EQUALIZING SPREADER FOR SEGMENTS (8 POINTS)
- MAGNET BED
- MULTI-HOOK
- TELESCOPIC
- MULTI-POSITION
- MULTIPLE CLAMP



U-SHAPED

AVAILABLE SPREADERS:

- SLINGS
- LATERAL SPREADERS
- UPPER SPREADER



INDUSTRIAL JIB CRANES

AN ESSENTIAL ALLY WHEN IT COMES TO MULTIPLYING YOUR PRODUCTION CAPACITIES, FACILITATING AND OPTIMIZING WORK IN SPECIFIC AREAS.

Designed to adapt to the specific lifting needs of each of our clients and their businesses.

TAILOR MADE

Six models sized according to your load and range needs.

PRODUCTIVITY AND PRECISION

- Infinite 360° electronic rotation
- Dual speed lifting and transfer for movements that are smooth and precise.
- Variable speed drive for all movements.

RELIABLE DESIGN AND SOLID CONSTRUCTION

- Easy to handle with a single button
- Fast, direct access for effective maintenance.
- Safety and manageability with the load limiter.



BASIC CAPABILITIES



LIFTING CAPACITY:
2,5 t - 25 t



REACH:
UP TO 10 m



HEIGHT:
UP TO 15 m



ROTATION: **360°**

e·MOTION

FULL-ELECTRIC **SERIES**

No emissions. No leaks.

GH presents a leap forward towards clean crane energy with its 32-ton capacity Gh351e industrial automotive gantry crane. A high performance ion-lithium battery pack with 10 years warranty secures a complete working day autonomy and its fast charger eases its recharge. GH works towards sustainability by incorporating an autonomous solar panel system that enhances the crane's performance by adding up to 20% of the daily required energy.

- / Able to incorporate a variable height system that adjusts the gantry height to allow travel in and out of industrial warehouses.**
- / Different versions available: Single Girder, Double Girder, and U-Shaped.**





Innovation and the future

COMMITTED TO THE FUTURE

Lines of research in environmental sustainability, transforming the machine into a smart device through monitoring, and applying the "industry 4.0" concept throughout, as well as using the most advanced communication technologies, all of which connect us to the future and solidify our commitment to an unquenchable thirst to add value to our clients' balance sheets.

Ad hoc developments.

4.0



COMMITTED TO SUSTAINABILITY

Our R&D strategy, and our clear focus on providing complete solutions, has led us to incorporate new elements into our products that promote environmental sustainability and adherence to energy efficiency standards, all without compromising our efficiency and the value we provide to all of our clients.

Recovering energy to be reused, and the new ways our products operate based on clean technologies, puts us on the cutting edge of our commitment to sustainability.



Emissions comply with each country's regulations.

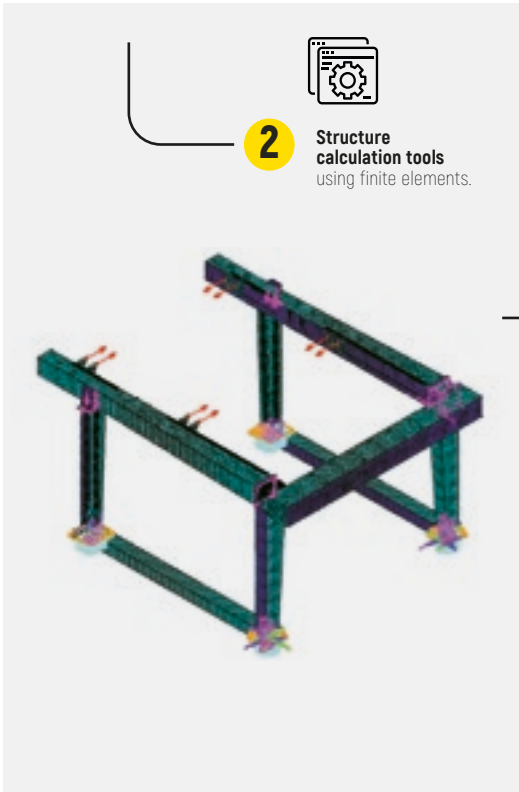


my**GH**motion

1 Scaled representation of our clients' work options with our machines.



2 Structure calculation tools using finite elements.



3



Metrology lab:
for piece dimension control.

Real-time monitoring
of manufacturing status.

Lasertracker.
Crane dimension control.



4

Once we **commission the crane:**



With the **"Service Mobile" app** we manage preventative and corrective maintenance actions.



Client Portal. A platform providing up-to-date crane information that both GH and the client can access.



Remote monitoring of the crane's operating data in real time. Making preemptive and corrective maintenance more efficient.

COMMITTED TO **EFFICIENT** **COMPREHENSIVE** **CLIENT MANAGEMENT**

From the moment the proposal is created, the client becomes a key collaborator throughout our process.

Through a real simulation program designed exclusively by GH MOTION, the client can have a clear understanding of their machine as installed in its real-life location, showing all of its handling capabilities, obstacles to avoid inefficiencies, and aspects that optimize all advantages at its installation site.

GH Group

HISTORY

GH CRANES & COMPONENTS is a family company with more than 65 years of experience on the market, making it a global leader in the lifting sector (hoists, bridge cranes, boat hoists, transfer carts), operating around the world with more than 1000 employees. GH's headquarters are located in Spain, with 10 industrial plants distributed around the world in strategic markets.

Alongside its main line of business, GH has developed a business around the cranes it produces to advise clients throughout the sales and assistance cycle.

6 BUSINESS UNITS



STANDARD SOLUTIONS



SPECIAL SOLUTIONS



COMPREHENSIVE MANUFACTURERS OF COMPONENTS AND MECHANISMS



GH MOTION MOBILE SYSTEMS



GLOBAL SERVICE



EX SOLUTIONS
ATEX
IECEX

125,000
CRANES SOLD
AROUND THE WORLD

MORE THAN 65 YEARS ON THE LIFTING MARKET MEANS EXPERIENCE IS OUR KEY ASSET.



344
MANUFACTURING

345
TECHNICAL SUPPORT

136
OTHERS

78
ENGINEERING AND QUALITY

101
SALES



1004 PEOPLE AROUND THE WORLD



10
MANUFACTURING PLANTS IN STRATEGIC MARKETS



DIRECT PRESENCE WITH OUR OWN BRANCHES IN **15 COUNTRIES**



COMMERCIAL PRESENCE IN MORE THAN **70 COUNTRIES** WITH OUR LOCAL COLLABORATORS

AMONG THE **TOP 5**

CRANE MANUFACTURERS WORLDWIDE



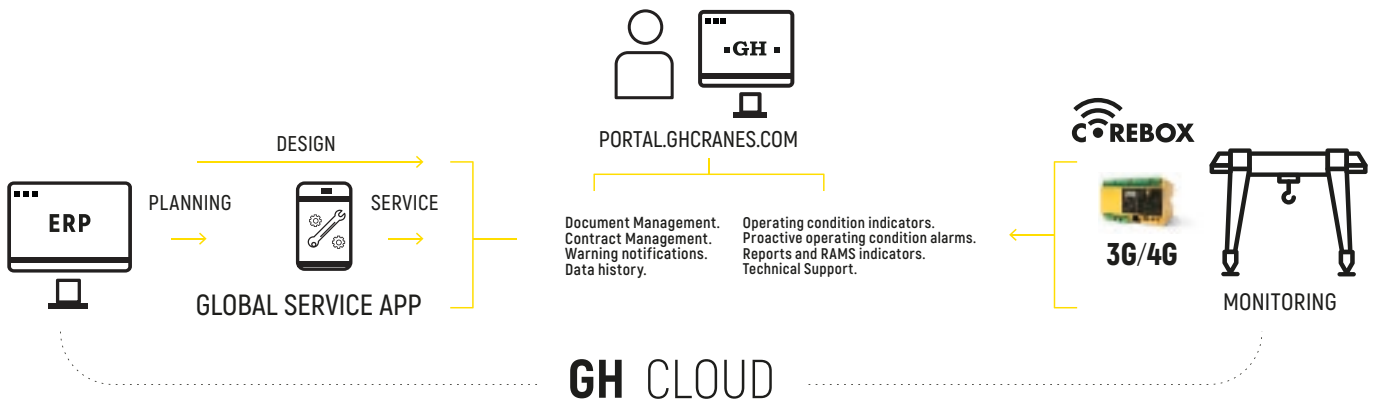
WE ARE **LEADERS** IN SPAIN AND PORTUGAL

Local service

SERVICE ANYWHERE IN THE WORLD

Our capability and organizational structure as integral manufacturers of our entire product puts us in a position of leadership. This status is complemented by the development of an extensive service network that can respond to all of our clients' needs.

In this sense, GH CRANES & COMPONENTS is backed by a large group of professionals that are prepared to address any contingency anywhere in the world.



QUALIFIED PROFESSIONALS

An exceptional team of professionals with years of experience across a multitude of sectors is what makes our projects possible. Our service is the result of the commitment we have earned from our clients, for whom we will continue to minimize downtime by acting before problems arise with preemptive and preventative maintenance backed by the latest 4.0 technology.



SPAIN

GH CRANES & COMPONENTS

CENTRAL OFFICE

Apdo. 27 - B Salbatore
20200 Beasain (Gipuzkoa) Spain
T +34 943 805 660
F +34 943 888 721
ghcranes@ghcranes.com
www.ghcranes.com

GH GLOBAL SERVICE

Polígono Basozabal, 2
20212 Olaberria (Gipuzkoa) Spain
T +34 902 205 100
globalservice@ghcranes.com

MECANIZADOS ALSASUA, S.L. MACHINING CENTRE

Polígono Ibarria, 37
31800 Altsasu (Navarra) Spain
T +34 948 467 625

GH GUERRA MANUTENCIÓN GUEMA, S.A. CRANE MANUFACTURE

Aiztiko Ind., 3
31810 Bakaiku (Navarra) Spain
T +34 948 562 611

BRAZIL

GH DO BRASIL IND. E COM. LTDA.

Acesso pela Rod. Dom Gabriel
P.B. Couto, Km 81
13313-000 Cabreúva, Brazil
T +55 1144090066
vendas@ghcranes.com.br

CHINA

GH (SHANGHAI) LIFTING EQUIPMENT CO., LTD.

Floor 7, No. 966, Huaxu
Road 201702 Qingpu District
(Shanghai)
T +86 21 5988 7676
ghchina@ghcranes.com

COLOMBIA

GH COLOMBIA SAS

Carrera 48 No 91-93 Castellana
Bogotá, Colombia
T +57 (1) 7504427
ventasghcolombia@ghcranes.com

FRANCE

GH FRANCE, SA

ZI Le Pan Loup
Rue du Moulin de la Rousselière
44800 Saint-Herblain, France
T +33(0) 240 861 212
ghfrance@ghcranes.com

INDIA

GH CRANES INDIA PVT. LTD.

A-3, Saket District Centre,
District Centre, Sector 6,
Pushp Vihar, New Delhi, Delhi,
110017, India
T +91 7030 70 5000
ghindia@ghcranes.com

KINGDOM OF SAUDI ARABIA INDUSTRIAS ELECTROMECAÑICAS GH, S.A.

Building No. 2634
Ibn Sina, King Khalid Branch Road
Al Khobar 6245 - 34627, Kingdom
of Saudi Arabia
T +966 54 2734345

MEXICO

GRÚAS GH MEXICO SA DE CV

Retorno 1, nº 28.
Fraccionamiento Agroindustrial
La Cruz
El Marqués 76240 Queretaro,
México
T +52 44 22 77 55 03
+52 44 22 77 50 74
ghmexico@ghsa.com.mx

PERU

GH PERÚ S.A.C

Calle Bolognesi, 125 Of. 19,
Miraflores
15074 Lima, Perú
T +51 1 734 32 99
+51 987816231
ventasghperu@ghcranes.com

POLAND

GH CRANES SP. Z O.O

Ul. Górnicza 2b
42-100 Kłobuck, Poland
T +48 34 359 73 17
office@ghsa.pl

PORTUGAL

GH PORTUGAL

Zona industrial do Soeiro, Lote 9
4745-399 São Mamede do
Coronado - Trofa, Portugal
T +351 229 821 688
geral@ghcranes.com

THAILAND

LGH CRANES CO., LTD

137/4 Moo 8, Nongsak-Noenmok
Road, Nong I-run, Ban Bueng
20220 Chonburi, Thailand
T +66 (0)-2327 9399
F +66 (0)-2327-9371
ghthailand@ghcranes.com

UNITED ARAB EMIRATES

Abu Dhabi

GH CRANE SERVICES LLC OPC
Office No - 95 Building Nasser
al Suweidi, Plot 22 Mussafah M39
P.O Box 132761
Abu Dhabi, United Arab Emirates
T +971 2 681 2671

Dubai

GH CRANES ARABIA FZCO

Office No. 2501, 25th Floor
Jafza One-Tower A,
Jebel Ali Free Zone.
P.O Box No, 263594
Dubai, United Arab Emirates
T +971 4 881 0773

Ras Al Khaima

GH CRANES & COMPONENTS FZ LLC

Shed No. 16-17-22
Al Hamra Industrial Zone-FZ,
P.O Box 54729
Ras Al Khaima, United Arab Emirates
T +971 7 266 3648

USA

GH CRANES & COMPONENTS

Illinois

SPARE PARTS Y COMPONENTS

9134 Gulfstream Road
60423 Frankfort (Illinois), U.S.A.
T +1 972 563 8333
ghcranesusa@ghcranes.com

Texas

MANUFACTURE AND SERVICE

14891 Hwy 205
75160 Terrell (Texas), U.S.A.
T +1 972 563 8333
ghcranesusa@ghcranes.com